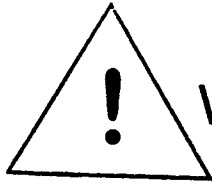


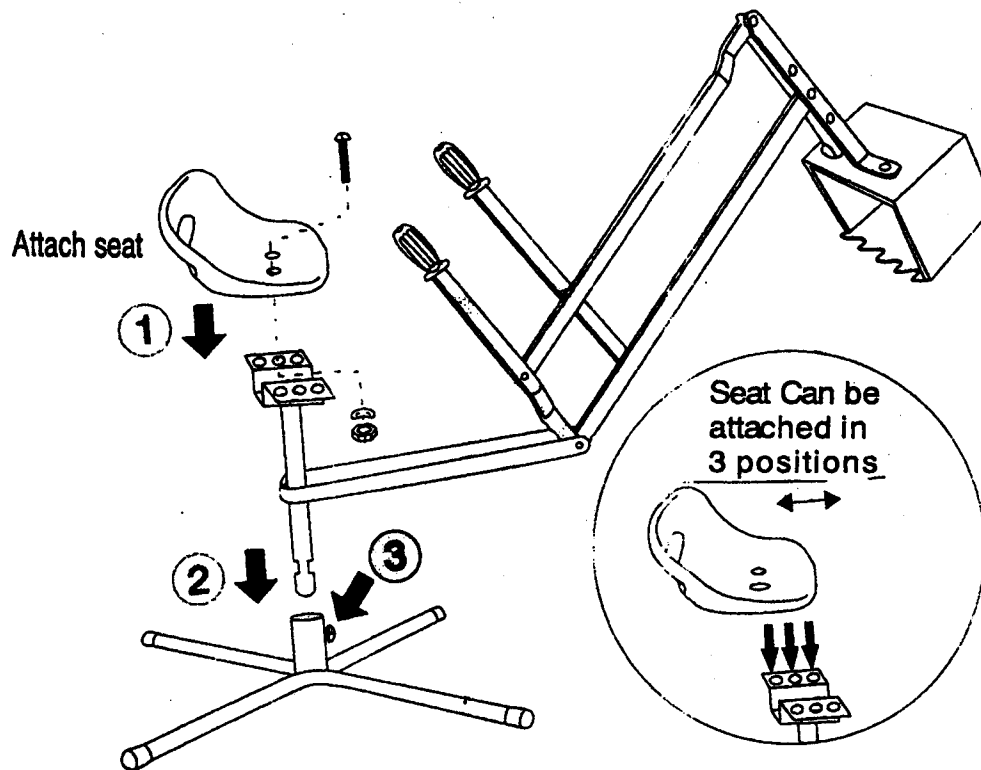
METAL CRANE

ASSEMBLY INSTRUCTION



WARNING:

CHOKING HAZARD- Small parts.
Not for children under 3 years.
This product must be
assembled by an adult.



① Seat

② Body

③ Base

Step 1. Place the body into the base (parts ② into ③)

Step 2. Position the seat into position above the body
and attach it with bolt, washers and nuts.

Step 3. Fasten the screw.