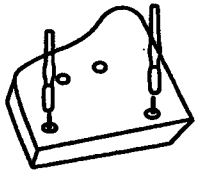
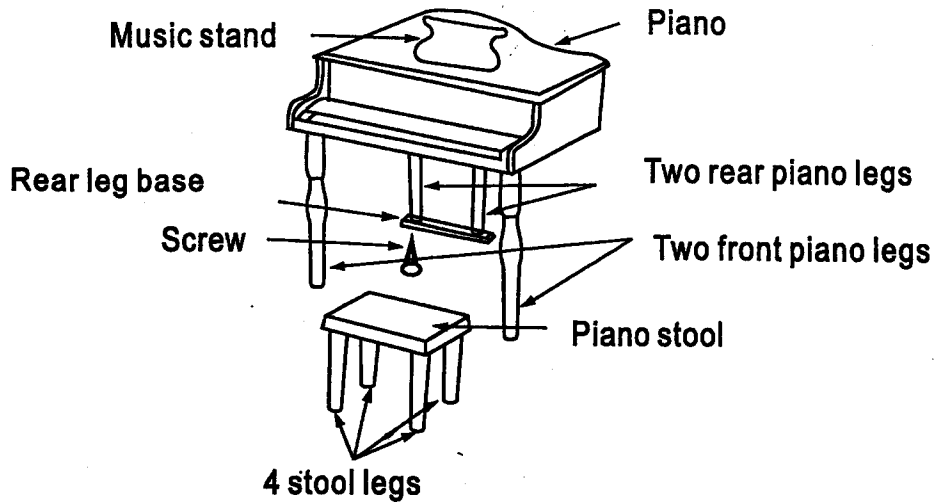
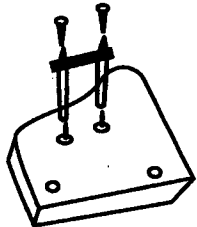


TOY PIANO ASSEMBLY INSTRUCTIONS

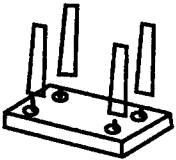


1. Carefully turn the piano upside down and rest the top on a carpeted floor to protect the finish.



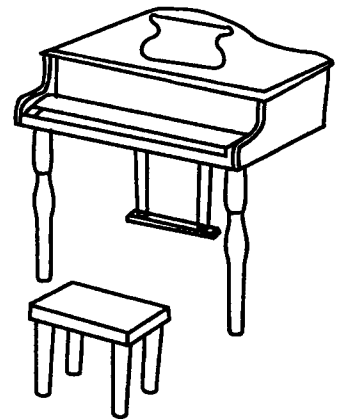
2. Screw the two front piano legs into the metal fittings on the bottom of the piano.

3. Screw the two rear piano legs into the metal fittings on the bottom of piano, then screw the rear leg base to the bottom of the rear piano legs with the screws supplied. *SCREWS HAVE TO BE PUSHED THROUGH BASE.*



4. Screw the 4 legs to the bottom of the piano stool.

5. Fit the music stand into the slot on the top of the piano.



Notice: When the piano is placed upside down, some keys may be out of alignment. Simply return the piano to the upright position, and play those keys, 4 or 5 at a time to realign them.

This is a toy piano and also a music instrument. It should be placed in a safe place that is readily available for the children's use.